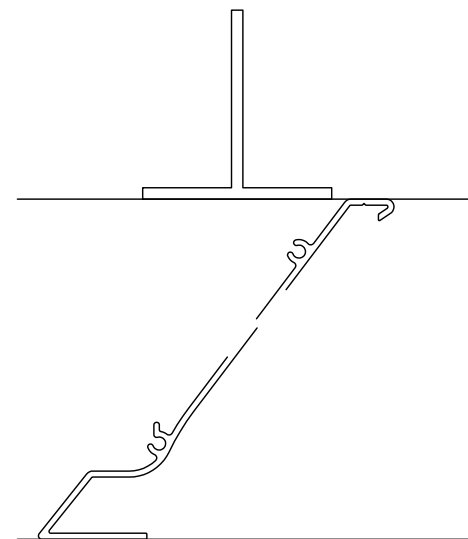
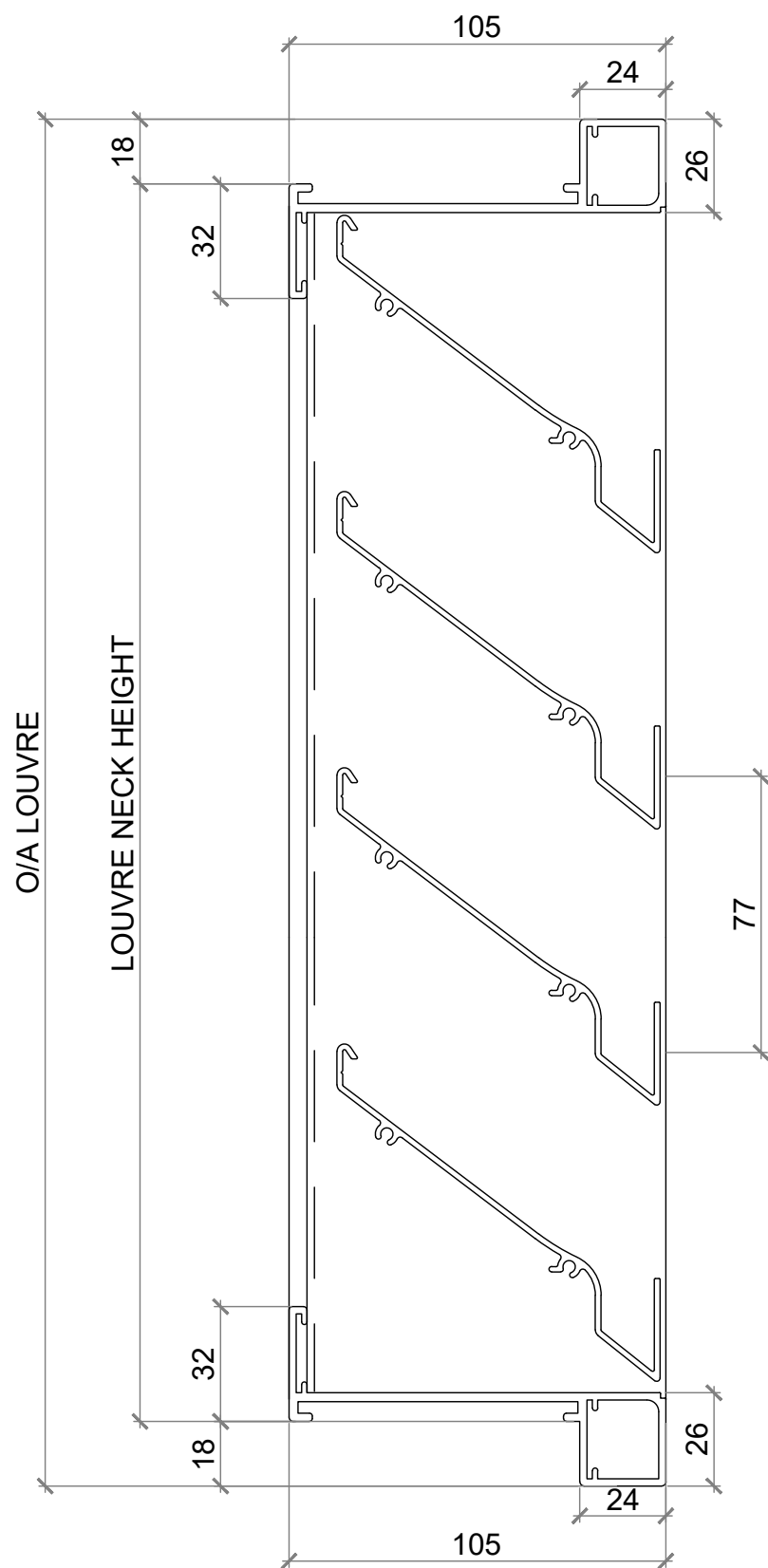


SECTION VIEW



**INTERMEDIATE STIFFENER
REQUIRED FOR SPECIFIC LOADS**

NOTE: REFER TO SPAN TABLES FOR MORE INFORMATION

VENTILATION LOUVRE	 VENTÜER Ventilation, Acoustic & Smoke Louvres E: sales@ventuer.co W: ventuer.co © 2019 All rights reserved	SCALE: 1:2 @ A3 - 1:1 @ A4
VL-104D		DWG NO. VL-104D-A.02
PROFILE DETAILS- GLAZED IN		DATE: 15/01/2025 REV 1